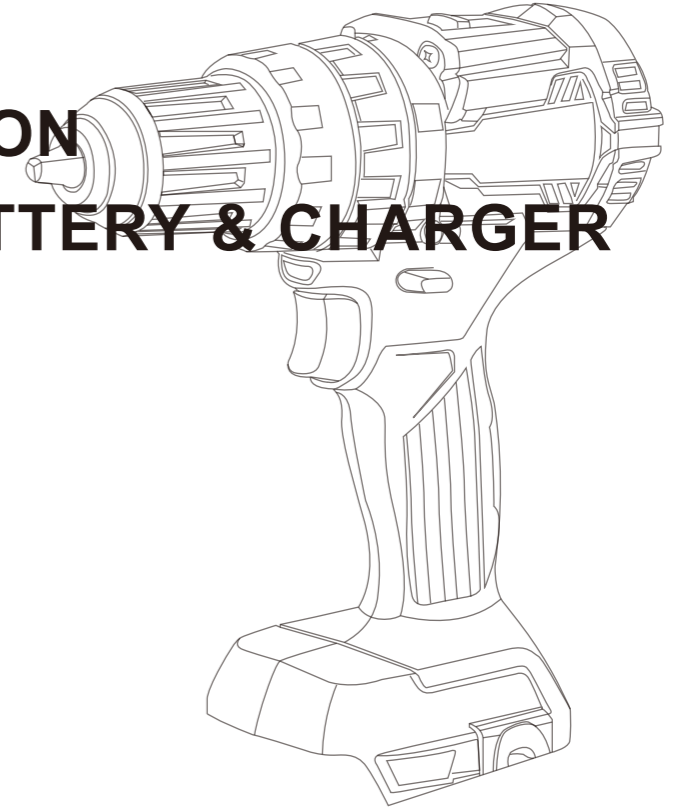


BATTERY SOLUTION POWER TOOL BATTERY & CHARGER

工具电池
电池解决方案



深圳市富浩源能源科技有限公司
Shenzhen Rich Haoyuan Energy Technology Co., Ltd.
地址: 广东省深圳市宝安区福永街道富桥工业区三区A17栋
Add: A17 building, Fuqiao 3rd Industrial Area, Fuyong Town, Baoan District,
Shenzhen, Guangdong, China
Tel: 86-755-28295998
E-mail: fhy@rhybattery.com
Alibaba: <https://rhy168.en.alibaba.com>
Website: <https://www.rhybattery.com>



PARTNERS



中国·深圳
SHENZHEN CHINA

深圳市富浩源能源科技有限公司
SHENZHEN RICH HAOYUAN ENERGY TECHNOLOGY CO. LTD

OVERVIEW

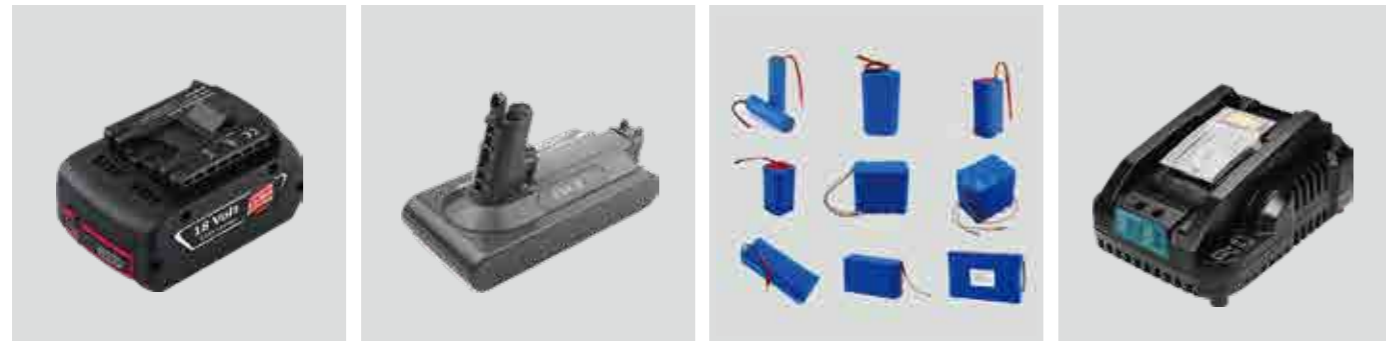
概述

产品简介

Product introduction

RHY is engaged in the manufacture of battery packs and is committed to providing customers with one-stop battery solutions. All processes from design and development to production and testing are independently completed by RHY. Our battery products can be applied to power tools, garden tools, vacuum cleaners, e-bikes, vacuum pumps, sprayers, scooters, electronic toys, etc.

富浩源主营电池包的制造, 致力于为客户提供一站式的电池解决方案。从设计开发到生产测试均由富浩源自主完成。电池产品可适用于电动工具、园林工具、吸尘器、真空泵、喷雾器、滑板车、电动自行车、电子玩具等



功能特征

Characteristics

- 1** Fireproof ABS+PC plastic
防火材料, 更耐用
- 2** Reliable battery cells
进口电芯, 更可靠
- 3** Multiple circuit protection
多重电路保护, 更安全
- 4** Build to order
按需定制, 更灵活
- 5** 1 year warranty
一年质保, 更放心
- 6** Factory price, high quality
工厂价格, 出口质量



Powerful
动力强劲



Long Cycle Life
循环寿命长



Certified
认证齐全



Fast delivery
交期短

RHY BATTERY SOLUTION APPLICATIONS

电池方案应用举例



Garden tools



E-bikes



E-scooters

COMPANY INTRODUCTION

公司介绍

业务范围

Our Business

Founded in 2013, Shenzhen Rich Haoyuan Energy Technology Co., Ltd. is an integrated enterprise specializing in design, development, production and sales of battery packs. The company covers a total area of over 17,0000 sq.ft. with 2 factories and more than 300 employees. Main products are Li-ion/Ni-MH/Ni-Cd battery packs, power tool batteries, OEM battery packs, battery solutions, UPS batteries, chargers, adapters, etc. Our company integrates product design, tooling, injection molding, SMT, assembly, sales and service, which makes us capable of supplying all kinds of battery packs, chargers and adapters, providing one-stop battery solutions and OEM/ODM/OBM services.

深圳市富浩源能源科技有限公司成立于2013年，注册资金5000万元，是一家专业从事电池包开发、生产和销售的综合性企业。公司总面积超过16000平方米，拥有2个工厂及300余名员工。主营业务为锂离子/镍氢/镍镉电池包、电动工具电池、OEM电池包、电池解决方案、UPS电池、自行车电池、充电器、适配器等。公司集产品研发、开模注塑、SMT贴片、组装、销售、服务于一体，能供应各种电池包、充电器及适配器，提供一整套电池解决方案及OEM/ODM/OBM服务。

16000m²

Total area

2

Factories

300+

Employees

产品与服务

Products and Services

We produce replacement batteries and chargers compatible with brands like Makita, Dewalt, Bosch, Dyson, Milwaukee, etc. Our custom battery packs can be applied to power tools, garden tools, e-bikes, vacuum cleaners, vacuum pumps, strapping tools, sprayers, etc. We have rich experiences exporting to North America, Europe, Australia, Japan, Korea, the Middle East and many other countries and regions, with a turnover of over 80 million U.S. dollars per year. The company has been honored ISO9001:2015, BSCI and SQP, while our products are certified by standards like CE, UL, FCC, PSE, KC, RoHS, UN38.3. Each product comes with a 1-year warranty. With advanced equipment and professional R&D team, we guarantee the most superior products and thoughtful services offered to every customer.

公司生产与牧田、得伟、博世、戴森、米沃奇等知名品牌兼容的备用电池和充电器。我司生产的定制电池包可应用于电动工具、园林工具、电动自行车、吸尘器、真空泵、捆扎机、喷雾器等等。我们的产品远销北美、欧洲、澳大利亚、日本、韩国、中东等国家和地区，年销售额超过3亿人民币。公司已通过ISO9001:2015、BSCI、SQP认证，产品通过CE、UL、FCC、PSE、KC、RoHS、UN38.3等国际标准认证，并享有一年质保。凭借先进的设备和专业的研发团队，公司确保为每位客户提供最优质的产品和最周到的服务。

取得成绩

Achievements

Adhering to the development philosophy of "Insist on innovation, strive for perfection and persist in integrity-based cooperation", we constantly upgrade products and improve service quality. After years of growth, RHY has been recognized as one of the top battery manufacturers in Shenzhen and even China. We have established long-term cooperation relationships with hundreds of manufacturers, designers and distributors in the world.

As a farsseeing enterprise, we participate in global exhibitions every year and keep expanding our product range to help our customers win more markets. We have set up overseas branches in USA, Japan, Europe and Australia to serve our customers better. More businesses are under planning.

富浩源秉承“坚持创新，精益求精，诚信为本”的发展理念，不断升级产品，提升服务质量。经过数年的发展，富浩源已名列深圳乃至全国电池制造商前茅，产品广受客户好评。目前公司已经与全球数百家电动工具制造商和电池分销商建立了长期的合作关系。

作为一家高瞻远瞩的企业，公司每年参加全球展会，并不断扩大产品范围。为了更好的服务客户，公司已经在美国，日本，欧洲和澳大利亚设立了海外分公司，更多全球布局正在规划中。

CERTIFICATE

证书展示

企业资质

Company Honor



ISO9001



BSCI



SQP

产品证书

Certificates



CE



UL



FCC



PSE



KC



RoHS

FACTORY EQUIPMENT

工厂设备

Our company has introduced a series of equipment for battery manufacturing. Advanced equipment enables us to put our designs into practice, ensures the consistency and stability of product quality. We have been constantly upgrading our equipment and strive to always stand at the forefront of battery manufacturing.

先进的生产设备让精湛的设计付诸实践的同时,保证了产品质量的一致性和稳定性。我们一直在不断升级我们的设备,力争始终站在电池制造的最前沿。



Injection Machine

注塑机



SMT Machine

贴片机



AOI Test Machine

AOI试验机



Battery Capacity Detection Cabinet

分容柜



Lithium Battery Automatic Separator

锂电池自动分选机



Wave Soldering Machine

波峰式焊接机



Automatic Screw Machine

自动螺杆机



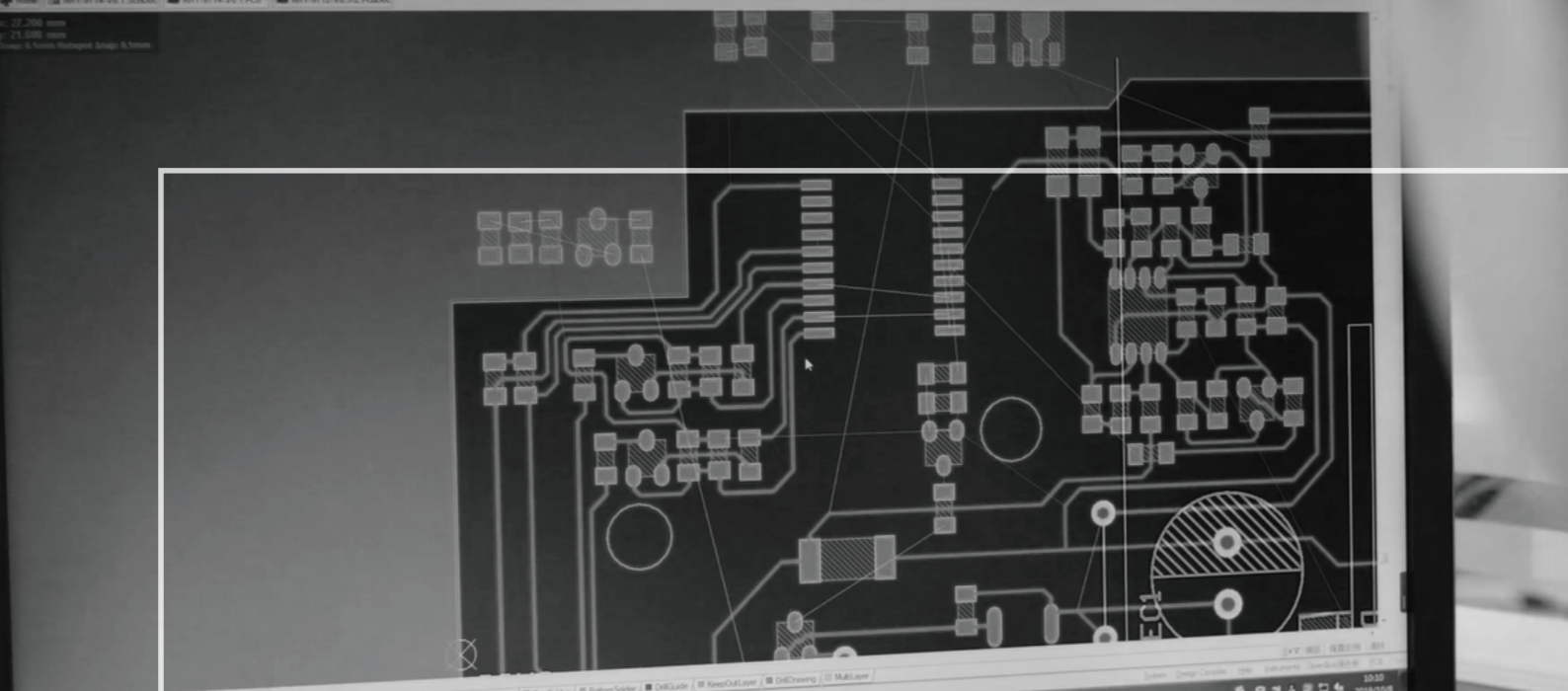
Automatic Test System of Power Supply

电源自动测试系统



Aging Test Cabinet

老化试验箱



DESIGNED FOR YOUR APPLICATIONS

专业电池解决方案

WHY CHOOSE RHY?

As an ISO9001, SQP, BSCI certified entity manufacturer, RHY integrates all processes from design to manufacture. Our expertise and experience in battery industry enable us to understand your needs faster and better. One-stop battery solutions save you from ignorance of batteries.

作为ISO9001、SQP、BSCI认证的实体制造商，RHY整合了从设计到制造的所有流程，提供一站式配套服务。我们在电池行业的专业知识和经验使我们能够更快速更准确地了解您的需求。

WHAT CAN WE DO?

RHY is a partner that will do more than read you a data sheet about a battery's features. Our team takes the time to understand your

overall system including how and where it will be used. We then recommend the right battery strategy and explain why it's best suited for your requirements. We will serve you from product design to shipment. All production is done independently by RHY without any third party involvement. We've even got hundreds of off-the-shelf (OTS) battery packs that fit directly into your application.

我们能做的，远不止是为您整理一份产品规格书。我们的团队会深入了解您的整个系统，包括如何使用以及在何处使用。我们会制定最合适的电池方案，并解释为什么它最符合您的要求。我们将从事产品设计到生产到售后全程为您服务。所有生产测试均由我司独立完成。我们还提供各种能直接应用在您的设备上的现成 (OTS) 电池组，数百款供您选择。



Professional R&D team
专业的研发团队



High-efficiency workshop
高效的生产车间



HOW TO COOPERATE WITH RHY?

- 01 Understanding: Know about customer's specific ideas, needs and requirements.
倾听客户的想法和需求
- 02 Confirmation: Appearance, dimensions, materials, specifications, functions, applications, etc.
确认产品外观、尺寸、材质、规格、功能、用途等
- 03 Research: Determine whether the project is feasible and evaluate the cost.
可行性分析，计算报价
- 04 Design and Development: Structure, BMS, PCB, tooling.
设计图纸，电路开发，模具制作
- 05 Sample: T0 sample for actual installment and testing, determine any changes are required.
T0样品用于实际安装和测试，决定是否需要对产品进行任何改动
- 06 Trial-Production: Foresee and troubleshoot the possible difficulties in production.
通过试产预知和解决生产中可能遇到的难题
- 07 Production: Produce according to customer's requirements and sample's standard.
投产，根据客户要求和样品标准进行生产
- 08 Support: 1 year warranty and life-long technical support.
一年质保，终身技术支持

R&D TEAM

研发团队

Since its establishment, RHY has always attached great importance to the construction of research and development capabilities, and has established a stable team with an advanced laboratory and 20 talented engineers. After years of development, the R&D department has become the heart of the company, mastering the core battery technology, and laying a foundation for the rapid development of products that meet customer needs.

公司成立以来一直十分重视研发能力的建设, 至今已经建立了一个稳定的、具有独立研发能力的研发团队, 团队一共20人。经过多年的发展, 研发部门已经成为了公司的核心, 掌握了电池的核心技术, 为快速研发出满足客户需求的产品奠定了基础。

“
**RHY BATTERY SOLUTIONS
POWER UP YOUR BUSINESS**

TEAM MEMBERS

团队成员

The R&D team includes 4 power supply engineers, 4 mechanical engineers, 2 mold design engineers, 2 software engineers, 3 hardware engineers, and 2 project engineers. They take care of the whole process from design to development of batteries and chargers.

团队包括4个电源工程师, 4个结构工程师, 2个模具设计工程师, 2个软件工程师, 3个硬件工程师, 2个项目工程师。他们包揽了电池和充电器研发的所有流程。



陈工 Chen Heng

Engineering Director

Mr. Chen is the director of the engineering department and joined in 2018. He has his own unique views on the design and manufacture of battery packs and chargers, and attaches great importance to the safety performance. He made RHY's products standardized and customized.



黄工 Huang Youming

Power Supply Engineer, BMS

Mr. Huang is mainly responsible for the research and development of BMS. The rigorous work attitude allows him to often find and solve the defects in the product development process, thus preventing the occurrence of product defects from the source.



周工 Zhou Dezhi

Power Supply Engineer, Charger

Mr. Zhou, senior engineer of RHY. Chargers are his forte, and he has developed 90% of the company's chargers to date. His strict control of product function and quality makes the products of RHY widely praised by customers.



赵主管 Zhao Yabin

Mechanical Engineer

Mr. Zhao is mainly responsible for the research and development of housing, holder, hardware, terminals and other internal structure, and is well aware of all links from design, drawings, tooling to assembly. He also serves as the head of the injection department, managing dozens of workers in the mold room and injection workshop.

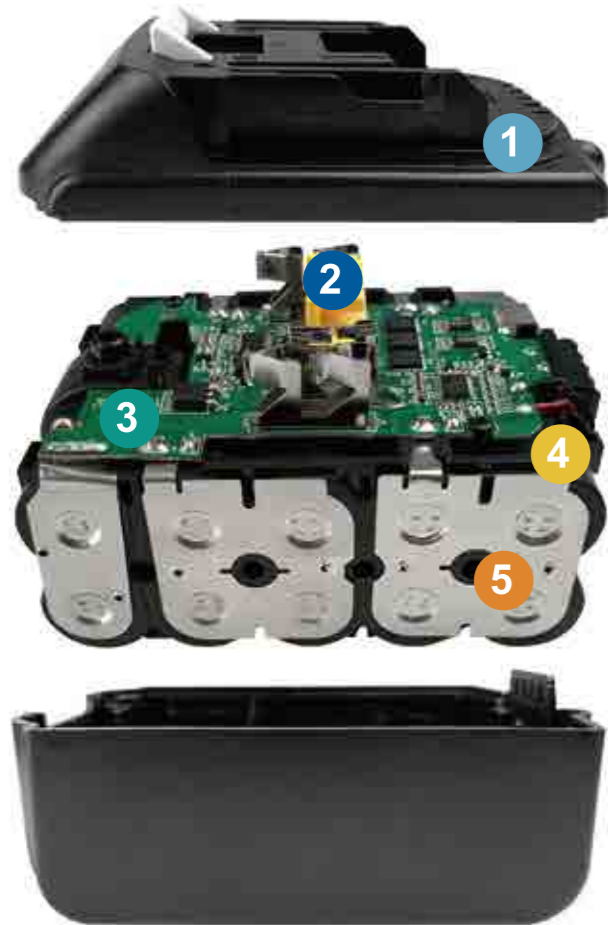
BATTERY MANUFACTURING

电池制作工艺

CRAFTSMANSHIP

The most exquisite design, excellent craftsmanship and fastidious materials make the best products.

专业的设计,精湛的工艺,考究的材料,造就高质量的产品。



- 1 V0 Grade Fireproof PC/ABS**
 - Resists Fire, Water, Sun and Crash
- 2 PA+30%GF Connector**
 - High Temp. and Abrasion Resistance
 - Good Flame Retardant Effect
- 3 PCB Designed and Patented by RHY**
 - With Overcharge Protection, Over-discharge Protection, Short Circuit Protection, Over Temp. Protection, Individual Cell Monitoring. Make It Better and Safer.
- 4 World's Trusted Brand Cells**
 - Sony/ Sanyo/ Samsung/ LG...
 - Powerful, Durable and Safe
- 5 Pure Nickel Sheet**
 - Better Conductivity
 - Better Welding Quality

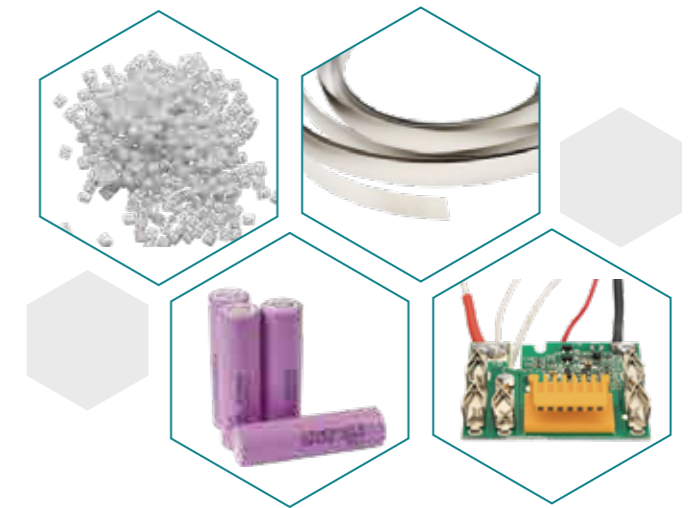
We take battery safety very seriously, which makes us very strict in the selection of raw materials. The plastics are all made of V0 grade fireproof PC/ABS, the connecting sheets are all pure nickel, and the electronic components are all imported and certified materials. Under the ISO9001 management system, we evaluate our suppliers every year and replace the unqualified suppliers in time.



我们非常重视电池产品的安全性,这使我们在原材料的挑选上十分苛刻。壳料均采用V0等级防火PC/ABS料,连接件均为纯镍材质,电子料均为进口认证材料。在ISO9001的管理体系下,我们严格筛选供应商,并每年度对供应商进行评估,及时更换不合格的供应商。

QUALITY CONTROL

品质管理



Every link from raw materials to shipment is under strict quality control. All products are 100% inspected. The whole quality inspection process is recorded, queryable and traceable. Lithium battery products undergo aging tests to ensure product quality.

从来料到出货的每一个环节都在严格的品控管理措施下,对生产过程中的产品全部实行百分百全检,品检全程有记录、可查询、可追溯。锂电池产品均经过老化测试,确保产品质量。



PRODUCT CATALOG

Off-the-shelf battery packs, chargers and adapters

FOR MAKITA

LI-ION



1.5Ah 2.0Ah 2.5Ah 3.0Ah

RHY-BL4025

Voltage: 40V
Type: Li-ion
Refer: BL4025 BL4040
191B36-3
Cell: 18650



3.0Ah 3.5Ah 4.0Ah

RHY-BL4040

Voltage: 40V
Type: Li-ion
Refer: BL4025 BL4040
191B36-3
Cell: 21700



3.0Ah 4.0Ah 5.0Ah 6.0Ah

RHY-BL14B-2

Voltage: 14.4V
Type: Li-ion
Refer: BL1415, BL1430,
BL1440, BL1450, BL1460,
BL1430B, BL1440B,
BL1450B, BL1460B



1.5Ah 2.0Ah 2.5Ah 3.0Ah

RHY-BL14B-1

Voltage: 14.4V
Type: Li-ion
Refer: BL1415, BL1430,
BL1440, BL1450, BL1460, BL1430B,
BL1440B, BL1450B, BL1460B



3.0Ah 4.0Ah 5.0Ah 6.0Ah

RHY-BL1040B

Voltage: 10.8V/12V
Type: Li-ion
Refer: BL1015, BL1016,
BL1040B, BL1041B, BL1020B,
BL1021B



1.5Ah 2.0Ah 2.5Ah 3.0Ah

RHY-BL1020B

Voltage: 10.8V/12V
Type: Li-ion
Refer: BL1015, BL1016,
BL1040B, BL1041B, BL1020B,
BL1021B



6.0Ah 8.0Ah 10Ah 12Ah

RHY-BL18B-4

Voltage: 18V
Type: Li-ion
Refer: BL1860B, BL1850B,
BL1840B, BL1830B, BL1815N,
BL1820B



4.5Ah 6.0Ah 7.5Ah 9.0Ah

RHY-BL18B-3

Voltage: 18V
Type: Li-ion
Refer: BL1860B, BL1850B,
BL1840B, BL1830B,
BL1815N, BL1820B



1.5Ah 2.0Ah 2.5Ah 3.0Ah

RHY-BL1013

Voltage: 10.8V/12V
Type: Li-ion
Refer: BL1013, BL1014,
194550-6, 194551-4,
195332-9



1.5Ah 2.0Ah 2.5Ah 3.0Ah

RHY-BL7010

Voltage: 7.2V
Type: Li-ion
Refer: BL7010, A-47494,
A-61254, 194356-2



3.0Ah 4.0Ah 5.0Ah 6.0Ah

RHY-BL18B-2

Voltage: 18V
Type: Li-ion
Refer: BL1860B, BL1850B,
BL1840B, BL1830B, BL1815N,
BL1820B
Cell: 18650



6.0Ah 8.0Ah

RHY-BL18B-21

Voltage: 18V
Type: Li-ion
Refer: BL1860B, BL1850B,
BL1840B, BL1830B, BL1815N,
BL1820B
Cell: 21700



3.0Ah 4.0Ah 5.0Ah 6.0Ah

RHY-BL18G-2

Voltage: 18V
Type: Li-ion
Refer: BL1813G BL1815G
BL1820G BL1830G
BL1840G



1.5Ah 2.0Ah 2.5Ah 3.0Ah

RHY-BL18G-1

Voltage: 18V
Type: Li-ion
Refer: BL1813G BL1815G
BL1820G BL1830G
BL1840G



1.5Ah 2.0Ah 2.5Ah 3.0Ah

RHY-BL18B-1

Voltage: 18V
Type: Li-ion
Refer: BL1860B, BL1850B,
BL1840B, BL1830B,
BL1815N, BL1820B



4.5Ah 6.0Ah 7.5Ah 9.0Ah

RHY-BL14-3

Voltage: 14.4V
Type: Li-ion
Refer: BL1415, BL1430,
BL1440, BL1450, BL1460, BL1430B,
BL1440B, BL1450B, BL1460B



3.0Ah 4.0Ah 5.0Ah 6.0Ah

RHY-BL14G-2

Voltage: 14.4V
Type: Li-ion
Refer: BL1413G BL1411G
BL1440G 196375-4



1.5Ah 2.0Ah 2.5Ah 3.0Ah

RHY-BL14G-1

Voltage: 14.4V
Type: Li-ion
Refer: BL1413G BL1411G
BL1440G 196375-4

NI-MH/NI-CD >



1.5Ah 2.0Ah 2.5Ah 3.0Ah

RHY-1822

Voltage: 18V

Type: Ni-MH/Ni-Cd

Refer: PA18, 1822, 1823, 1834, 1835, 1835F, 192826-5, 192827-3, 192828-1, 192829-9, 193061-8, 193102-0



1.5Ah 2.0Ah 2.5Ah 3.0Ah

RHY-1420

Voltage: 14.4V

Type: Ni-MH/Ni-Cd

Refer: PA14, 1420, 1422, 1433, 1434, 1435, 1435F, 192600-1, 193985-8, 192699, 193157-5



1.5Ah 2.0Ah 2.5Ah 3.0Ah

RHY-1220

Voltage: 12V

Type: Ni-MH/Ni-Cd

Refer: PA12, 1220, 1201, 1222, 1233, 1200, 1234, 1235, 1235B, 1235F, 1235A, 1235B, 1235F, 192696-2



1.5Ah 2.0Ah 2.5Ah 3.0Ah

RHY-9100

Voltage: 9.6V

Type: Ni-MH/Ni-Cd

Refer: PA09, 9100, 9120, 9122, 9133, 9134, 9135, 9135A



1.5Ah 2.0Ah 2.5Ah 3.0Ah

RHY-ML9000

Voltage: 9.6V

Type: Ni-MH/Ni-Cd

Refer: 9000, 9001, 9002, 9033, 9600, 96003, 191681-2, 632007-4, 6096D, 6093D, DA391D, 6095D-2



1.5Ah 2.0Ah 2.5Ah 3.0Ah

RHY-ML7000

Voltage: 7.2V

Type: Ni-MH/Ni-Cd

Refer: 7000, 7002, 7033, 191679-9, 192532-2, 192695-4, 632002-4, 632003-2



1.5Ah 2.0Ah 2.5Ah 3.0Ah

RHY-4076D

Voltage: 7.2V

Type: Ni-MH/Ni-Cd

Refer: 4076, 4076D, 4076DWR, 4076DWX

CHARGER >



RHY-DC18SF

Battery Type: Li-ion

Input: 100V-240V

Output: 14.4V-18V Max3A

Refer: DC18SF



RHY-DC18RD

Battery Type: Li-ion

Input: 100V-240V

Output: 14.4V-18V Max7A

Refer: DC18RD



RHY-ADP05

Battery Type: Li-ion

Input: 14.4V-18V

Output: 5V 2.1A

Refer: ADP05



RHY-ML103

Battery Type: Li-ion

Input: 10.8V/12V

Output: 5V 2.1A

Refer: DEAML103

RHY-DC18RD-MINI



Battery Type: Li-ion

Input: 100V-240V

Output: 14.4V-18V Max3A

Refer: DC18RD



RHY-DC18RF

Battery Type: Li-ion

Input: 100V-240V

Output: 14.4V-18V Max7A

Refer: DC18RC, DC18RA, DC18RF

RHY-DC18RCT



Battery Type: Li-ion

Input: 100V-240V

Output: 14.4V-18V Max7A

Refer: DC18RC, DC18RA, DC18RF



RHY-DC18RF-P

Battery Type: Li-ion

Input: 100V-240V

Output: 7.2V-18V Max3A

Refer: DC18RF



RHY-DC18RC-MINI

Battery Type: Li-ion

Input: 100V-240V

Output: 14.4V-18V Max3A

Refer: DC18SD, DC18RC, DC18RA, DC18RF



RHY-DC10SA

Battery Type: Li-ion

Input: 100V-240V

Output: 10.8V/12V Max3A/5A

Refer: DC10SA, DC10SB, DC10WC, DC10WD



RHY-DC10WB

Battery Type: Li-ion

Input: 100V-240V

Output: 7.2V-10.8V/Max1.5A

Refer: DC10WA, DC10WB



RHY-FP1804T

Battery Type: Ni-MH&Ni-Cd

Input: 100V-240V

Output: 7.2V-18V Max1.5A

Refer: DC1804, DC1804F, DC1414, DC1414F

FOR HITACHI/HIKOKI

LI-ION >



RHY-BSL36A18

Voltage: 36V/18V

Type: Li-ion

Refer: 371751M, 372121M, BSL36A18, BSL36B18

- 1.5Ah/3.0Ah
- 2.0Ah/4.0Ah
- 2.5Ah/5.0Ah
- 3.0Ah/6.0Ah



RHY-BSL18B-2

Voltage: 18V

Type: Li-ion

Refer: BSL1860, BSL1850, BSL1815, BSL1815X, BSL1825, BSL1830, BSL1830C, BSL1840, 33055, 330067

- 3.0Ah
- 4.0Ah
- 5.0Ah
- 6.0Ah



RHY-BSL14B-2

Voltage: 14.4V

Type: Li-ion

Refer: BSL1415, BSL1430, BSL1460, BSL1450

- 3.0Ah
- 4.0Ah
- 5.0Ah
- 6.0Ah



RHY-EBM1830

Voltage: 18V

Type: Li-ion

Refer: EBM1830, BCL1815, BCL1820, BCL1825, BCL1830, BCL1840

- 3.0Ah
- 4.0Ah
- 5.0Ah
- 6.0Ah



RHY-BCL1815

Voltage: 18V

Type: Li-ion

Refer: EBM1830, BCL1815, BCL1820, BCL1825, BCL1830, BCL1840

- 1.5Ah
- 2.0Ah
- 2.5Ah
- 3.0Ah

NI-MH/NI-CD >



RHY-EB1820L

Voltage: 18V

Type: Ni-MH/Ni-Cd

Refer: BCC1815, EB1814SL, EB1820, EB1820L, 322880, EB1812S, EB1824L, EB1826HL, EB1830HL, 322436

- 1.5Ah
- 2.0Ah
- 2.5Ah
- 3.0Ah



RHY-EB14B

Voltage: 14.4V

Type: Ni-MH/Ni-Cd

Refer: EB1430X, BCC1412, BCC1415, EB1414L, EB1420RS, EB1430H, EB1430R, EB14H, EB14B, EB14S

- 1.5Ah
- 2.0Ah
- 2.5Ah
- 3.0Ah



RHY-EB1214S

Voltage: 12V

Type: Ni-MH/Ni-Cd

Refer: EB1212S, EB1214L, EB1214S, EB1220BL, EB1220HL, EB1220HS, EB1220RS, EB1222HL, EB1226HL

- 1.5Ah
- 2.0Ah
- 2.5Ah
- 3.0Ah



RHY-EB12

Voltage: 12V

Type: Ni-MH/Ni-Cd

Refer: EB12, EB12B, EB12G, EB12H, EB12M, EB12S, EB224, HH1204, EB1220, EB1220HS, EB1224

- 1.5Ah
- 2.0Ah
- 2.5Ah
- 3.0Ah



RHY-EB9

Voltage: 9.6V

Type: Ni-MH/Ni-Cd

Refer: BCC912, BCC915, EB9G, EB9M, EB9S, EB924, EB9B, FEB9S

- 1.5Ah
- 2.0Ah
- 2.5Ah
- 3.0Ah



RHY-EB7

Voltage: 7.2V

Type: Ni-MH/Ni-Cd

Refer: BCC715, EB7, EB712S, EB714S, EB7G, EB7S

- 1.5Ah
- 2.0Ah
- 2.5Ah
- 3.0Ah

CHARGER >



RHY-UC18YDL

Battery Type: Li-ion

Input: 100V-240V

Output: 14.4V-18V-36V/Max7A

Refer: UC18YSL3

FOR METABO

LI-ION >



RHY-BSL36A18

Voltage: 36V/18V

Type: Li-ion

Refer: 371751M, 372121M, BSL36A18, BSL36B18

1.5Ah/3.0Ah 2.0Ah/4.0Ah
2.5Ah/5.0Ah 3.0Ah/6.0Ah



RHY-MTB18B

Voltage: 18V

Type: Li-ion

Refer: 625027000, 625591000, 625592000, 625596000, 625151000, 625152000

3.0Ah 4.0Ah 5.0Ah 6.0Ah



RHY-DCB140-2

Voltage: 14.4V

Type: Li-ion

Refer: DCB140, DCB141, DCB142, DCB143, DCB143-XJ, DCB144, DCB145

3.0Ah 4.0Ah 5.0Ah 6.0Ah



RHY-DCB140-1

Voltage: 14.4V

Type: Li-ion

Refer: DCB140, DCB141, DCB142, DCB143, DCB143-XJ, DCB144, DCB145

1.5Ah 2.0Ah 2.5Ah 3.0Ah

CHARGER >



RHY-ASC30-18

Battery Type: Li-ion

Input: 100V-240V

Output: 18V Max3A

Refer: SC 30, 627103000



RHY-DCB120

Voltage: 12V

Type: Li-ion

Refer: DCB120, DCB121, DCB123, DCB124, DCB125, DCB127, DCB20-XE, DCB125-XJ

1.5Ah 2.0Ah 2.5Ah 3.0Ah



RHY-DCB080

Voltage: 7.2V

Type: Li-ion

Refer: DCB080, DEWALT, DW4390, DCF682, DCL023, DCF680, DCB095, DCF680N1, DCF680N2, DCF680G2

1.5Ah 2.0Ah 2.5Ah 3.0Ah

FOR DEWALT

LI-ION >



RHY-DCB609-3

Voltage: 60V/20V

Type: Li-ion

Refer: DCB204-2, DCB606, DCB609, DCB612, DCB206, DCB203, DCB204

1.5Ah/4.5Ah 2.0Ah/6.0Ah
2.5Ah/7.5Ah 3.0Ah/9.0Ah



RHY-DCB200-2

Voltage: 18V/20V

Type: Li-ion

Refer: DCB184, DCB201, DCB203, DCB204, DCB205, DCB206, DCB200, DCB203BT, DCB181-XJ

Cell: 18650

3.0Ah 4.0Ah 5.0Ah 6.0Ah



RHY-DC9096

Voltage: 18V

Type: Ni-MH/Ni-Cd

Refer: DC9096, DE9039, DC9099, DE9095, DE9096, DE9098, DW9095, DW9096, DW9096

1.5Ah 2.0Ah 2.5Ah 3.0Ah



RHY-DC9091

Voltage: 14.4V

Type: Ni-MH/Ni-Cd

Refer: DC9091, DC9094, DE9038, DE9091, DE9092, DE9093, DE9094, DE9502, DW9091

1.5Ah 2.0Ah 2.5Ah 3.0Ah



RHY-DCB200-21

Voltage: 18V/20V

Type: Li-ion

Refer: DCB184, DCB201, DCB203, DCB204, DCB205, DCB206, DCB200, DCB203BT, DCB181-XJ

Cell: 21700

6.0Ah 8.0Ah



RHY-DCB200-1

Voltage: 18V/20V

Type: Li-ion

Refer: DCB184, DCB201, DCB203, DCB204, DCB205, DCB206, DCB200, DCB203BT, DCB181-XJ

1.5Ah 2.0Ah 2.5Ah 3.0Ah



RHY-DC9071

Voltage: 12V

Type: Ni-MH/Ni-Cd

Refer: DC9071, DW9072, DW9071, DE9074, DE9037, DE9071, DE9072, DE9075, DE9501

1.5Ah 2.0Ah 2.5Ah 3.0Ah



RHY-DE9062

Voltage: 9.6V

Type: Ni-MH/Ni-Cd

Refer: DE9036, DE9061, DE9062, DW9061, DW9062

1.5Ah 2.0Ah 2.5Ah 3.0Ah



RHY-DW9057

Voltage: 7.2V
Type: Ni-MH/Ni-Cd
Refer: DE9057, DE9085, DW9057

1.5Ah 2.0Ah 2.5Ah 3.0Ah

CHARGER >



RHY-DCB104

Battery Type: Li-ion
Input: 100V-240V
Output: 10.8V-20V/Max3A
Refer: DCB104



RHY-DCB102

Battery Type: Li-ion
Input: 100V-240V
Output: 10.8V-20V/Max3A
Refer: DCB102



RHY-DCB105

Battery Type: Li-ion
Input: 100V-240V
Output: 10.8V-20V/Max3A
Refer: DCB105



RHY-DCB107

Battery Type: Li-ion
Input: 100V-240V
Output: 10.8V-20V/Max1.2A
Refer: DCB107



RHY-DC9320

Battery Type: Ni-MH&Ni-Cd
Input: 100V-240V
Output: 7.2V-18V/Max1.5A
Refer: DC9320



RHY-DC9310

Battery Type: Ni-MH&Ni-Cd
Input: 100V-240V
Output: 7.2V-18V 1.5A
Refer: DW9116, DE9130, DE9310, DC9310, DE9135



RHY-DCB090

Battery Type: Li-ion
Input: 12V-20V
Output: 5V 1.5A
Refer: DCB090

FOR DYSON

LI-ION >



RHY-FH12C

Voltage: 25.2V
Type: Li-ion
Refer: V12 Slim
V12 Slim Complete
V12 Slim Absolute

3.0Ah 4.0Ah



RHY-FH11C

Voltage: 25.2V
Type: Li-ion
Refer: V11 SV15, V11 Torque Drive, V11 Animal, V11 Outsize, V11 Complete Extra, V11 Absolute Pro, V11 Absolute Extra, V11 Fluffy Extra, SV16, SV17, SV18

3.0Ah 4.0Ah



RHY-FH11S

Voltage: 25.2V
Type: Li-ion
Refer: V11 SV14

3.0Ah 4.0Ah



RHY-FH10C

Voltage: 18V
Type: Li-ion
Refer: Digital Slim Fluffy Extra, Digital Slim Fluffy Pro, V10 Digital Slim, V10 Digital Slim Fluffy Extra, V10 Slim, V11 Slim, V12 Detect Slim, V15 Detect

2.5Ah 3.0Ah



RHY-FH10

Voltage: 25.2V
Type: Li-ion
Refer: V10, SV12, 206340, 969352-02

3.0Ah



RHY-FH8

Voltage: 21.6V
Type: Li-ion
Refer: V8, SV10, 214730-01, 215681, 966489-04, 215866-01/02, 215967-01/02, 967834-02

3.0Ah 4.0Ah



RHY-FH7

Voltage: 21.6V
Type: Li-ion
Refer: V7, SV11, 968670-02, 968670-03

2.0Ah 2.2Ah 2.5Ah 3.0Ah



RHY-FH6

Voltage: 21.6V
Type: Li-ion
Refer: V6, DC58, DC59, DC61, DC62, DC72, DC74, SV03, SV04, SV05, SV06, SV07, SV09

2.0Ah 2.2Ah 2.5Ah 3.0Ah

FOR MILWAUKEE

LI-ION



RHY-FH34
 Voltage: 22.2V
 Type: Li-ion
 Refer: DC31, DC34, DC35, DC44, DC45, DC56, DC57 (TYPE B)

2.0Ah 2.2Ah 2.5Ah 3.0Ah



RHY-FH31
 Voltage: 22.2V
 Type: Li-ion
 Refer: DC31, DC34, DC35, DC44, DC45, DC56, DC57 (TYPE A)

2.0Ah 2.2Ah 2.5Ah 3.0Ah



RHY-FH16
 Voltage: 21.6V
 Type: Li-ion
 Refer: DC16, BP01, 12097, 912433-01, 912433-03, 912433-04

2.0Ah 2.2Ah 2.5Ah 3.0Ah



RHY-RB01
 Voltage: 14.8V
 Type: Li-ion
 Refer: Dyson 360 eye, RB01

4.5Ah 6.0Ah 7.5Ah 9.0Ah



RHY-M28
 Voltage: 28V
 Type: Li-ion
 Refer: 48-59-2801 48-11-2830 M28

3.0Ah 4.0Ah 5.0Ah 6.0Ah



RHY-MI18-12
 Voltage: 18V
 Type: Li-ion
 Refer: M18 HB12, 48-11-1812

9.0Ah 12Ah



RHY-MI18-3
 Voltage: 18V
 Type: Li-ion
 Refer: M18 B9, 48-11-1890

4.5Ah 6.0Ah 7.5Ah 9.0Ah



RHY-MI18-2
 Voltage: 18V
 Type: Li-ion
 Refer: M18 B6, B5, B4, 48-11-1830, 48-11-1840, 48-11-1850, 48-11-1860
 Cell: 18650

3.0Ah 4.0Ah 5.0Ah 6.0Ah



RHY-MI18-21
 Voltage: 18V
 Type: Li-ion
 Refer: M18 B6, B5, B4, 48-11-1830, 48-11-1840, 48-11-1850, 48-11-1860
 Cell: 21700

6.0Ah 8.0Ah



RHY-MI18-1
 Voltage: 18V
 Type: Li-ion
 Refer: M18 B2, HB3, 48-11-1835, 48-11-1815, 48-11-1820

1.5Ah 2.0Ah 2.5Ah 3.0Ah

CHARGER (*Different plug types are available.)



RHY-AC-V10
 Battery Type: Li-ion
 Input: 100V-240V
 Output: 30.45V 0.5A
 Refer: 969350-03, 217160-02, V10, V11



RHY-AC-V6
 Battery Type: Li-ion
 Input: 100V-240V
 Output: 25.5V 0.5A
 Refer: 967813-03, 965875-04, 205720-02, V6, V7, V8



RHY-AC-DC31
 Battery Type: Li-ion
 Input: 100V-240V
 Output: 25.5V 0.5A
 Refer: 917530-12, DC31, DC34, DC35, DC44, DC45, DC56, DC57



RHY-MI12-2
 Voltage: 10.8V/12V
 Type: Li-ion
 Refer: M12 B6, B4, 48-11-2460

3.0Ah 4.0Ah 5.0Ah 6.0Ah



RHY-MI12-1
 Voltage: 10.8V/12V
 Type: Li-ion
 Refer: M12 B3, B2,

1.5Ah 2.0Ah 2.5Ah 3.0Ah



RHY-MI4
 Voltage: 3.6V
 Type: Li-ion
 Refer: M4 B2, 48-11-2001

1.5Ah 2.0Ah 2.5Ah 3.0Ah

NI-MH/NI-CD >



RHY-MI18A

Voltage: 18V
 Type: Ni-MH/Ni-Cd
 Refer: 48-11-2230, 48-11-2200,
 48-11-2232, 8940158631

1.5Ah 2.0Ah 2.5Ah 3.0Ah



RHY-MI18B

Voltage: 18V
 Type: Ni-MH/Ni-Cd
 Refer: 48-11-2230, 48-11-2200,
 48-11-2232, 8940158631

1.5Ah 2.0Ah 2.5Ah 3.0Ah



RHY-MI14A

Voltage: 14.4V
 Type: Ni-MH/Ni-Cd
 Refer: 48-11-1000,
 48-11-1014, 48-11-1024

1.5Ah 2.0Ah 2.5Ah 3.0Ah



RHY-MI14B

Voltage: 14.4V
 Type: Ni-MH/Ni-Cd
 Refer: 48-11-1000,
 48-11-1014, 48-11-1024

1.5Ah 2.0Ah 2.5Ah 3.0Ah

CHARGER >



RHY-MI28C

Battery Type: Li-ion
 Input: 100V-240V
 Output: 4V
 Refer: 48-59-2801 48-11-2830
 M28



RHY-MI18DFC

Battery Type: Li-ion
 Input: 100V-240V
 Output: 14V-18V
 Refer: 48-59-1802 M18DFC-0
 M18DFC



RHY-MI12-18C

Battery Type: Li-ion
 Input: 100V-240V
 Output: 10.8V-18V 3A
 Refer: M12-18C, 48-59-1810,
 48-59-1812, 4932352959



RHY-MI18C

Battery Type: Li-ion
 Input: 120V/230V
 Output: 14.4V-18V 3A
 Refer: 48-11-1811,
 48-59-1812, 48-11-1815



RHY-MI4C

Battery Type: Li-ion
 Input: 100V-240V
 Output: 4V
 Refer: M4, 48-59-2001



RHY-MI12C

Battery Type: Li-ion
 Input: 100V-240V
 Output: 10.8V-12V 3A
 Refer: C12 C, 4932352000,
 4932352069, 48-59-2401,
 48-59-2420



RHY-MI12A

Voltage: 12V
 Type: USB Port & DC 12V Outlet
 Refer: 48-11-2401, 48-11-2420,
 48-11-2440, 48-11-2430, 48-11-2460,
 48-11-2402

FOR AEG/RIDGID

LI-ION >



RHY-AC840089

Voltage: 18V
 Type: Li-ion
 Refer: R840083, R840085,
 R840086, R840087, AC8400806,
 AC840086, AC840084, AC840085,
 AC840087

3.0Ah 4.0Ah 5.0Ah 6.0Ah



RHY-L1240

Voltage: 10.8V/12V
 Type: Li-ion
 Refer: L1215, L1220, L1230,
 L1240, AC82048, R82048,
 R86048, R840083, R840086,
 R840084

3.0Ah 4.0Ah 5.0Ah 6.0Ah



RHY-12C

Voltage: 10.8V
 Type: Li-ion
 Refer: AEG12C

1.5Ah 2.0Ah 2.5Ah 3.0Ah

CHARGER >



RHY-R86092

Battery Type: Li-ion
 Input: 100V-240V
 Output: 18V 3A
 Refer: R86092, R86091,
 AL 18G, 4932459891



RHY-LL1230

Battery Type: Li-ion
 Input: 100V-240V
 Output: 10.8V-12V 3A
 Refer: LL1240, LL1230,
 4932471263



RHY-BL1218

Battery Type: Li-ion
 Input: 100V-240V
 Output: 18V
 Refer: BL1218

FOR INTERSKOL

NI-MH/NI-CD



RHY-INT18

Voltage: 18V
Type: Ni-MH/Ni-Cd
Refer: Interskol H18

1.5Ah 2.0Ah 2.5Ah 3.0Ah



RHY-INT14

Voltage: 14.4V
Type: Ni-MH/Ni-Cd
Refer: Interskol H14

1.5Ah 2.0Ah 2.5Ah 3.0Ah



RHY-INT12

Voltage: 12V
Type: Ni-MH/Ni-Cd
Refer: Interskol H12

1.5Ah 2.0Ah 2.5Ah 3.0Ah

FOR BOSCH

LI-ION



RHY-BAT838

Voltage: 36V
Type: Li-ion
Refer: BAT810, BAT836, BAT838, BAT840

3.0Ah 4.0Ah 5.0Ah 6.0Ah



RHY-BAT610G-2

Voltage: 18V
Type: Li-ion
Refer: BAT609G, BAT618G, BAT618G, BAT619, BAT619, BAT619G, BAT622,

3.0Ah 4.0Ah 5.0Ah 6.0Ah



RHY-BAT610G-1

Voltage: 18V
Type: Li-ion
Refer: BAT612

1.5Ah 2.0Ah 2.5Ah 3.0Ah



RHY-BAT607-2

Voltage: 14.4V
Type: Li-ion
Refer: BAT607, BAT607G, BAT614, BAT614G

3.0Ah 4.0Ah 5.0Ah 6.0Ah



RHY-BAT607-1

Voltage: 14.4V
Type: Li-ion
Refer: BAT607, BAT607G, BAT614, BAT614G

1.5Ah 2.0Ah 2.5Ah 3.0Ah



RHY-BAT412

Voltage: 12V
Type: Li-ion
Refer: GBA12V60, BAT420, BAT414, BAT412

3.0Ah 4.0Ah 5.0Ah 6.0Ah



RHY-BAT411

Voltage: 10.8V/12V
Type: Li-ion
Refer: GBA12V30, BAT420, BAT411, BAT411A, BAT412, BAT413, BAT413A, BAT414

1.5Ah 2.0Ah 2.5Ah 3.0Ah

NI-MH/NI-CD



RHY-BAT030

Voltage: 24V
Type: Ni-MH/Ni-Cd
Refer: BAT030, BAT031, BAT240, BAT299

1.5Ah 2.0Ah 2.5Ah 3.0Ah



RHY-BAT025

Voltage: 18V
Type: Ni-MH/Ni-Cd
Refer: PSR 18, BAT025, BAT026, BAT180, BAT181, BAT160, BAT189

1.5Ah 2.0Ah 2.5Ah 3.0Ah



RHY-BAT038

Voltage: 14.4V
Type: Ni-MH/Ni-Cd
Refer: BAT040, BAT038, BAT041, BAT140, BAT159, BAT048, BAT100, BAT119, BH984, BPT1041

1.5Ah 2.0Ah 2.5Ah 3.0Ah



RHY-BAT043

Voltage: 12V
Type: Ni-MH/Ni-Cd
Refer: BAT120, BAT139, BAT159, BAT043, BAT045

1.5Ah 2.0Ah 2.5Ah 3.0Ah



RHY-BAT048

Voltage: 9.6V
Type: Ni-MH/Ni-Cd
Refer: BAT048, BAT049

1.5Ah 2.0Ah 2.5Ah 3.0Ah



RHY-BH744

Voltage: 7.2V
Type: Ni-MH/Ni-Cd
Refer: BH-744, B-8308

1.5Ah 2.0Ah 2.5Ah 3.0Ah



1.5Ah 2.0Ah 2.5Ah 3.0Ah

RHY-BAT011

Voltage: 12V
Type: Ni-MH/Ni-Cd
Refer: BAT011, PSR120, BH1214H,



1.5Ah 2.0Ah 2.5Ah 3.0Ah

RHY-BAT001

Voltage: 9.6V
Type: Ni-MH/Ni-Cd
Refer: BAT001, BH-974, BH-974H, BH-974L, BH-974N



1.5Ah 2.0Ah 2.5Ah 3.0Ah

RHY-AP4001

Voltage: 4V
Type: Li-ion
Refer: GBA12V60, BAT420, BAT414, BAT412

NI-MH/NI-CD >

CHARGER >



RHY-1018K

Battery Type: Li-ion
Input: 120V/240V
Output: 14.4V-18V Max2A
Refer: BC660, BC1880, AL1820CV



RHY-1012K

Battery Type: Li-ion
Input: 120V/240V
Output: 10.8V-12V Max2A
Refer: AL1115CV, AL1130CV, BC330, GAL1230CV, GAL12V-40

FOR RYOBI

LI-ION >



3.0Ah 4.0Ah 5.0Ah 6.0Ah

RHY-OP4050

Voltage: 40V
Type: Li-ion
Refer: OP4040, OP4026, OP4030, OP4050, OP4060A, OP4050A, OP4040A, BPL3650D2, BPL3640D2



3.0Ah 4.0Ah 5.0Ah 6.0Ah

RHY-P108-2

Voltage: 18V
Type: Li-ion
Refer: P108, P192, P191, RB18L50, RB18L40, RB18L30



1.5Ah 2.0Ah 2.5Ah 3.0Ah

RHY-P108-1

Voltage: 18V
Type: Li-ion
Refer: P108, P189, P190, RB18L25, RB18L20, RB18L15



1.5Ah 2.0Ah 2.5Ah 3.0Ah

RHY-CB120L

Voltage: 12V
Type: Li-ion
Refer: BPL-1220, L1212R, RB12L13, CB120L, CB121L



1.5Ah 2.0Ah 2.5Ah 3.0Ah

RHY-BID1230

Voltage: 12V
Type: Ni-MH/Ni-Cd
Refer: 1400143, 1400652, 400670, 4400005, B-8286, BPT1025, RY-1204



1.5Ah 2.0Ah 2.5Ah 3.0Ah

RHY-ABP1801

Voltage: 18V
Type: Ni-MH/Ni-Cd
Refer: ABP1801, ABP1803, BPP1820



1.5Ah 2.0Ah 2.5Ah 3.0Ah

RHY-BID1430

Voltage: 14.4V
Type: Ni-MH/Ni-Cd
Refer: 130224010, 130224011, 130281002, 1314702, 1400144, 1400655, 1400656, 1400671, 4400011



1.5Ah 2.0Ah 2.5Ah 3.0Ah

RHY-BID9620

Voltage: 9.6V
Type: Ni-MH/Ni-Cd
Refer: B-9620F2, B-967F1, B-963F2, 1400669

CHARGER >



RHY-OP401

Battery Type: Li-ion
Input: 100V-240V
Output: 40V 1.3A
Refer: OP401, OP404, OP403, RY36C60A



RHY-P117

Battery Type: Li-ion & Ni-MH & Ni-Cd
Input: 100V-240V
Output: 9.6V-18V/1.5A-2A
Refer: P117, P118, RC18150



RHY-C120D

Battery Type: Li-ion
Input: 100V-240V
Output: 12V/Max3A
Refer: 130, 503, 001, 140, 503, 000

FOR BLACK&DECKER

LI-ION >



1.5Ah 2.0Ah 2.5Ah 3.0Ah

RHY-LBX2040

Voltage: 40V
Type: Li-ion
Refer: LBX2540, LBX2040, LBX1540, LBX36, LBXR36, LBXR2036, LBX1540-2, LBXR36-2



3.0Ah 4.0Ah 5.0Ah 6.0Ah

RHY-LBXR20

Voltage: 18V/20V
Type: Li-ion
Refer: LBXR20, LB20, LBX20, LBXR2020-OPE, LST220



1.5Ah 2.0Ah 2.5Ah 3.0Ah

RHY-LBX20

Voltage: 18V/20V
Type: Li-ion
Refer: LBXR20, LB20, LBX20, LBXR2020-OPE, LST220

NI-MH/NI-CD >



1.5Ah 2.0Ah 2.5Ah 3.0Ah

RHY-HPB18

Voltage: 18V
Type: Ni-MH/Ni-Cd
Refer: HPB18, HPB18-OPE, 244760-00, FS18FL, FSB18



1.5Ah 2.0Ah 2.5Ah 3.0Ah

RHY-HPB14

Voltage: 14.4V
Type: Ni-MH/Ni-Cd
Refer: A14, A144, FSB14, HPB14, A144EX, A14F, A1714, B-8316, BD1444L, BPT1048



1.5Ah 2.0Ah 2.5Ah 3.0Ah

RHY-HPB12

Voltage: 12V
Type: Ni-MH/Ni-Cd
Refer: HBP12, A1712, FS120B, FSB12, HPB12, A12, A12-XJ, A12EX, FS120B



1.5Ah 2.0Ah 2.5Ah 3.0Ah

RHY-VP110

Voltage: 3.6V
Type: Ni-MH/Ni-Cd
Refer: VP100, VP130, VP100C, VP105, VP105C, VP110, VP110C, VP143

CHARGER >



RHY-PCC692L

Battery Type: Li-ion
Input: 100V-240V
Output: 18V 2.5A
Refer: BDCAC202B, BDC2A



RHY-BD18-AC

Battery Type: Ni-MH&Ni-Cd
Input: 100V-240V
Output: 9.6V-18V 1A
Refer: 90556254-01



RHY-BDCCN24

Battery Type: Ni-MH&Ni-Cd
Input: 100V-240V
Output: 9.6V-24V 3A
Refer: BDFC240, BDCCN24, FSMVC



RHY-LCS36

Battery Type: LI-ION
Input: 100V-240V
Output: 36V-40V 1.3A
Refer: LBXR36, LBXR2036, LBX36, LBX1540, LBX2040, LBX254

FOR PORTER CABLE

LI-ION >



3.0Ah 4.0Ah 5.0Ah 6.0Ah

RHY-PCC685L-2

Voltage: 18V/20V
Type: Li-ion
Refer: PCC685L, PCC685LP, PCC680L, PCC681L, PCC682L, PCC600, PCC640, PCC690L, PCC601



1.5Ah 2.0Ah 2.5Ah 3.0Ah

RHY-PCC658L-1

Voltage: 18V/20V
Type: Li-ion
Refer: PCC685L, PCC685LP, PCC680L, PCC681L, PCC682L, PCC600, PCC640, PCC690L, PCC601

NI-MH/NI-CD >



1.5Ah 2.0Ah 2.5Ah 3.0Ah

RHY-PC18B

Voltage: 18V
Type: Ni-MH/Ni-Cd
Refer: PC18B, PC18BL, PC18BLX, PC18BLEX, PCC489N

CHARGER >



RHY-PCC692L

Battery Type: Li-ion
Input: 100V-240V
Output: 18V 2.5A
Refer: PCC692L



RHY-PCXMVC

Battery Type: Li-ion& Ni-MH&Ni-Cd
Input: 100V-240V
Output: 18V 3A
Refer: PCLMVC, PCMVC, PCXMVC

FOR CRAFTSMAN

LI-ION >



3.0Ah 4.0Ah 5.0Ah 6.0Ah

RHY-C3-L2

Voltage: 19.2V

Type: Li-ion

Refer: 11374, 11375, 11376, 1104511375, 120235021, 130156001, 130279003, 130211004



1.5Ah 2.0Ah 2.5Ah 3.0Ah

RHY-C3-L1

Voltage: 19.2V

Type: Li-ion

Refer: 11374, 11375, 11376, 1104511375, 120235021, 130156001, 130279003



3.0Ah 4.0Ah 5.0Ah 6.0Ah

RHY-CMCB201-2

Voltage: 20V

Type: Li-ion

Refer: CMCB201, CMCB204, PCC685LP



1.5Ah 2.0Ah 2.5Ah 3.0Ah

RHY-CMCB201-1

Voltage: 20V

Type: Li-ion

Refer: CMCB201, CMCB204, PCC685LP

NI-MH/NI-CD >



1.5Ah 2.0Ah 2.5Ah 3.0Ah

RHY-C3-N

Voltage: 19.2V

Type: Ni-MH/Ni-Cd

Refer: 11375, 11376, 130279005, 1323517, 1323903

CHARGER >



RHY-CH2030

Battery Type: Li-ion&Ni-MH&Ni-Cd

Input: 100V-240V/1.5A/2A

Output: 19.2V 2.7A

Refer: 315.CH2030, 140152003



RHY-CMCB202

Battery Type: Li-ion

Input: 100V-240V/3A

Output: 20V 3A

Refer: CMCB104, CMCB202, CMCB204, CMCB206

FOR PANASONIC

NI-MH/NI-CD >



1.5Ah 2.0Ah 2.5Ah 3.0Ah

RHY-EY9200

Voltage: 12V

Type: Ni-MH/Ni-Cd

Refer: EY9001, EY9005B, EY9101, EY9106B, EY9107, EY9108, EY9200, EY9200B, EY9201

FOR KEYANG

LI-ION >



3.0Ah 4.0Ah 5.0Ah 6.0Ah

RHY-BL18040

Voltage: 18V

Type: LI-ION

Refer: BL18040



RHY-C18046

Battery Type: Li-ion

Input: 100V-240V/Max3A

Output: 18V

Refer: C18046, C18048

FOR WORX

LI-ION >



3.0Ah 4.0Ah 5.0Ah 6.0Ah

RHY-WA3525

Voltage: 18V/20V

Type: Li-ion

Refer: WA3511, WA3512, WA3512.1, WA3523



1.5Ah 2.0Ah 2.5Ah 3.0Ah

RHY-WA3520

Voltage: 18V/20V

Type: Li-ion

Refer: WA3511, WA3512, WA3512.1, WA3523

NI-MH/NI-CD >

CHARGER >



RHY-WA3127

Voltage: 18V
Type: Ni-MH/Ni-Cd
Refer: WA3127, WG150,
WG152, WG153

1.5Ah 2.0Ah 2.5Ah 3.0Ah



RHY-WA3868

Battery Type: Li-ion
Input: 100V-240V 3A
Output: DC18-20V
Refer: WA3868



RHY-BA4200T

Voltage: 56V
Type: Li-ion
Refer: BA1400T BA2800T
BA4200

4.5Ah 6.0Ah 7.5Ah 9.0Ah

FOR GREENWORKS >

LI-ION >



RHY-G40

Voltage: 40V
Type: Li-ion
Refer: G40B4, 29472,
29462, 2901319

3.0Ah 4.0Ah 5.0Ah 6.0Ah



RHY-G24B2

Voltage: 24V
Type: Li-ion
Refer: G24B2

1.5Ah 2.0Ah 2.5Ah 3.0Ah

CHARGER >



RHY-9718

Battery Type: Li-ion
Input: 100V-240V
Output: 40V 3A
Refer: 29482



RHY-G4824C4

Battery Type: Li-ion
Input: 100V-240V/Max4A
Output: 24/48V
Refer: G4824C4

FOR EGO >

LI-ION >



RHY-BA1400T

Voltage: 56V
Type: Li-ion
Refer: BA1400T BA2800T
BA4200

1.5Ah 2.0Ah 2.5Ah 3.0Ah



RHY-BA2800T

Voltage: 56V
Type: Li-ion
Refer: BA1400T BA2800T
BA4200

3.0Ah 4.0Ah 5.0Ah 6.0Ah

FOR IROBOT >

LI-ION >



RHY-IR500

Voltage: 14.4V
Type: Li-ion
Refer: 500, 600, 700, 800, 900

3.0Ah 4.0Ah 5.0Ah 6.0Ah



RHY-J240

Voltage: 3.6V
Type: Li-ion
Refer: Jet240, 4446040,
BC674

1.5Ah 2.0Ah 2.5Ah 3.0Ah

NI-MH/NI-CD >

FOR PASLODE >



RHY-PAS-6V

Voltage: 6V
Type: NI-MH/NI-CD
Refer: 404717, B20544E,
BCPAS-404717, BCPAS-404717SH,
IM350, IM65A, IM65, IM250

1.5Ah 2.0Ah 2.5Ah 3.0Ah

FOR EUFY ROBOVAC >

LI-ION >



RHY-RV11

Voltage: 14.4V
Type: LI-ION
Refer: 11, 11S, 11S PLUS, 11S MAX,
12, 15C, 15C MAX, 15T, 25C,
30, 30C MAX, 35C, 25C Max,
G10 Hybrid G30, G30 Edge,
G30 Hybrid G30 Verge, G20,
G40

1.5Ah 2.0Ah 2.5Ah 3.0Ah

FOR IROBOT >

LI-ION >

NI-MH/NI-CD >



RHY-IR400

Voltage: 14.4V
Type: Ni-MH/Ni-Cd
Refer: 400

1.5Ah 2.0Ah 2.5Ah 3.0Ah



RHY-IR500

Voltage: 14.4V
Type: Ni-MH/Ni-Cd
Refer: 500, 600, 700, 800, 900

1.5Ah 2.0Ah 2.5Ah 3.0Ah

FOR SHARK

LI-ION >



RHY-XBAT200

Voltage: 25.2V
Type: Li-ion
Refer: XBAT200

2.0Ah 2.2Ah 2.5Ah 3.0Ah

FOR HOOVER

LI-ION >



RHY-BH03120PC

Voltage: 18V/20V
Type: Li-ion
Refer: BH03120PC, BH03100, BH03120, 440005966, 440005973, 44139

3.0Ah 4.0Ah 5.0Ah 6.0Ah



RHY-BH50000

Voltage: 18V
Type: Li-ion
Refer: BH50000, BH5005, BH50010, BH50015, BH50020, BH50030, H-BH50000

1.5Ah 2.0Ah 2.5Ah 3.0Ah

CHARGER >



RHY-BH03200

Battery Type: Li-ion
Input: 100V-240V/Max3A
Output: 18V
Refer: BH03200



RHY-BH05000

Battery Type: Li-ion
Input: 100V-240V
Output: 18V
Refer: BH05000



RHY-BH50005

Battery Type: Li-ion
Input: 100V-240V 1A
Output: 18V
Refer: 302736001

FOR Eureka

NI-MH/NI-CD >



RHY-60776

Voltage: 6V
Type: NI-MH/NI-CD
Refer: 60776, 68112, 39150

1.5Ah 2.0Ah 2.5Ah 3.0Ah

FOR Skil



RHY-SB18C

Voltage: 18V
Type: NI-MH/NI-CD
Refer: SB18C SB18A SB18B

1.5Ah 2.0Ah 2.5Ah 3.0Ah

FOR SWIT

LI-ION >



RHY-8110S

Voltage: 14.4V
Type: LI-ION
Refer: V-port camera battery

285WH 300WH

Outdoor Cooling fan set



RHY-ST74

Voltage: 7.4V
Type: Li-ion
Refer: ST74

5.2Ah 6.8Ah 7.2Ah 8.0Ah 10.0Ah

ADAPTER



RHY-ADP-HPA1820

Function: BLack&Decker 20V Lithium battery to BLack&Decker 18V Nickel battery
N/W:200g



RHY-ADP-MT20BL

Function: Makita 18V Lithium battery to BLack&Decker 20V Lithium battery
N/W:200g



RHY-ADP-DM18DN

Function: Dewalt&Milwaukee 18V/20V Lithium battery to Dewalt 18V Nickel battery
N/W:200g



RHY-ADP-BPS18DN

Function: BLack&Decker/ Porter Cable/Stanley 20V Lithium battery to Dewalt 18V Nickel battery
N/W:200g



RHY-ADP-DM18MN

Function: Dewalt&Milwaukee 18V/20V Lithium battery to Makita 18V Nickel battery
N/W:200g



RHY-ADP-BPS18MN

Function: BLack&Decker/ Porter Cable/Stanley 20V Lithium battery to Makita 18V Nickel battery
N/W:200g



RHY-ADP-DM18M

Function: Dewalt&Milwaukee 18V/20V Lithium battery to Makita 18V Lithium battery
N/W:200g



RHY-ADP-BPS18M

Function: BLack&Decker/ Porter Cable/Stanley 20V Lithium battery to Makita 18V Lithium battery
N/W:200g



RHY-ADP-MT20DL

Function: Makita 18V Lithium battery to Dewalt 20V Lithium battery
N/W:200g



RHY-ADP-MT20ML

Function: Makita 18V Lithium battery to Milwaukee 18V Lithium battery
N/W:200g



RHY-ADP-BPS18RL

Function: BLack&Decker/ Porter Cable/Stanley 20V Lithium battery to Ryobi 18V Lithium&Nickel battery
N/W:200g



RHY-ADP-DM18RL

Function: Dewalt&Milwaukee 18V/20V Lithium battery to Ryobi 18V Lithium&Nickel battery
N/W:200g



RHY-ADP-DM18GL

Function: Dewalt&Milwaukee 18V/20V Lithium battery to Craftsman 19.2V Lithium&Nickel battery
N/W:200g



RHY-ADP-BPS18GL

Function: BLack&Decker/ Porter Cable/Stanley 20V Lithium battery to Craftsman 19.2V Lithium&Nickel battery
N/W:200g



RHY-ADP-BPS18PO

Function: BLack&Decker/ Porter Cable/Stanley 20V Lithium battery to Porter Cable 18V Nickel battery
N/W:200g



RHY-MB18V

Function: Fun:For Bosch/ Makita 18V 14.4V Battery Power Mount Connector
N/W:150g



RHY-N18 Power Source

Function: Replacement Power Source Compatible for Milwaukee 49-24-2371 M18
N/W:150g

MEET OUR TEAM

团队风采

CREATIVE | PROFESSIONAL | PATIENT

创造性 | 专业性 | 耐心



Our Clients
我们的客户



TEAM PERFORMANCE

RHY BATTERY SOLUTIONS POWER UP YOUR BUSINESS

富浩源为您提供一站式电池解决方案

RHY TEAM AT GLOBAL EXHIBITIONS

全球展览会上的RHY团队

